



JACK GAME ROOM Outdoor Ping Pong Tables

Folding Outdoor Ping Pong Tables

108L x 72W x 30.5H -- Steel with cataphoretic coating process and polyester paint. Iroko wood legs. HPL playing surface.



White
\$5,690 + Free Shipping

Black
\$5,690 + Free Shipping

Portable Outdoor Ping Pong Tables

108L x 60W x 30H -- Steel with cataphoretic coating process and polyester paint. Iroko wood legs. HPL playing surface.



White
\$4,850 + Free Shipping



Black
\$4,850 + Free Shipping

Stationary Outdoor Ping Pong Tables

Steel with cataphoretic coating process and polyester paint. Iroko wood legs. HPL playing surface.
Standard: 108L x 60W x 30H Medium: 89L x 47W x 30h



White
Standard: \$4,950 + Free Shipping
Medium: \$4,380 + Free Shipping



Black
Standard: \$4,950 + Free Shipping
Medium: \$4,380 + Free Shipping



Custom Ping Pong Table Guide

- Jack Game Room offers an extensive line of fully custom ping pong tables
- Choose from many customization options:
 - Table style & size
 - Playing top material & color
 - Frame color
 - Leg material & color
 - Accessory drawer & net
 - Power ports
 - And more!
- Delivery in 6-10 weeks
- Review all available options in this PDF and then contact us for further information or to place your order:

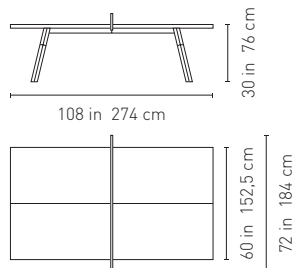
206.237.7733 or info@jackgameroom.com

FIXED-LEG TABLE STANDARD OPTIONS

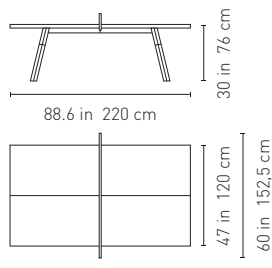


Sizes

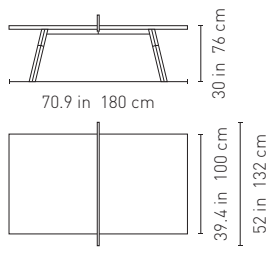
Standard



220-Medium



180-Small



1 CHOOSE THE SIZE

STANDARD

220-MEDIUM

180- SMALL

2 CHOOSE THE FRAME

BLACK

WHITE

HPL Top



3 CHOOSE THE TOP

HTP INDOOR & OUTDOOR

BLACK

WHITE

WOOD INDOOR

WALNUT

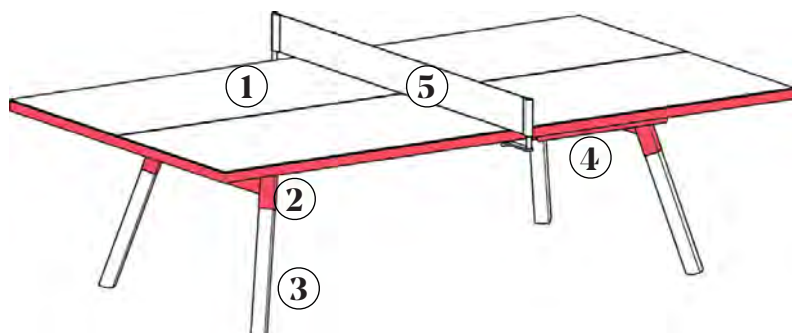
OAK

Wooden top



This basic customization is at no additional cost.

FIXED-LEG TABLE CUSTOMIZATIONS



1 TOP

1.1 HPL TOP

Tell us your colour preferences and we will look for the one that best suits from the available options.

- STANDARD + MEDIUM (220 CM) TABLES **\$680**

- SMALL (180 CM) TABLE **\$500**

1.2 PRINTED VINYL TOP

Choose the pattern, picture or specific colour that you want:

- STANDARD + MEDIUM (220 CM) TABLES **\$1,500**

- SMALL (180 CM) TABLE **\$1,100**

1.3 Include your logo (vinyl) in the field:

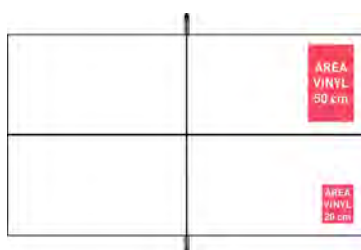
· 50 cm length (aprox.): **\$260**

· 20 cm length (aprox.): **\$150**

1.2



1.3



Vinyl top customization examples:



2 FRAME

Choose the RAL colour that you want.

- STANDARD + MEDIUM (220 cm) TABLES **\$850**

- SMALL (180 cm) TABLE **\$680**

3 LEGS

Paint the wood in another color.

\$450

Change to walnut or oak wood.

\$470

4 DRAWER

Pink, white or black color don't have extra cost. Any other color:

\$95

2

Structure customization example:



5 NET

Pink, white or black colour are at no additional cost.

Any other color:

\$350

TERMS AND CONDITIONS

- 8j hi db Zgb j hi egdkYZ Væ' b V\ Zh\$ad\ dhVc kZXi dgbZY [dgb Vi tæ' dg#Zehl#

- 8j hi db Zgb j hi 1 VkZ1] Z VeeglegViZY Vj i] dgbVi 'dc d[j hZ [dgi] Z ' b V\ Zh\$ad\ dh' egdk'YZY#

- Jack Game Room 1 æicdi VZ gZhedch Væ [dg eZcVá Zh'YZgkZY [gib Xdeng\] ih#

- AZVY'i b Z [dgi] h' cY'd[X] hi db 'bZY'e'c\ 'edc\ iVæ'h'h) 1 ZZ' h [gib dg'ZgXdc[gb Vi 'dc#

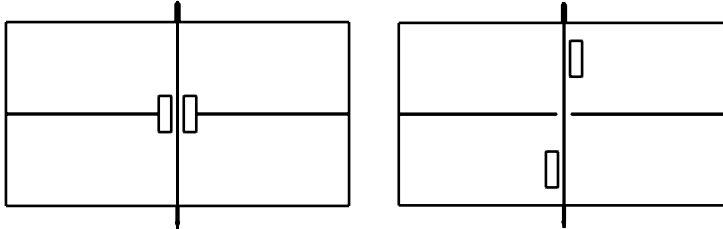
- 6æægXZh'Vg'USD

- I VnZh'VcY'h] æe'c\ not included.°

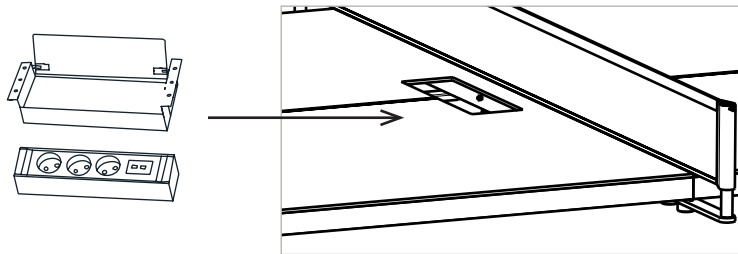
FIXED-LEG TABLE POWER OPTIONS



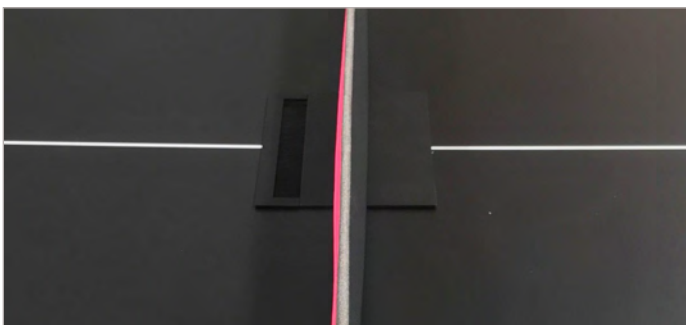
6.1 Power holes examples:



6.2 Desktop data power:



Power examples:



6 POWER

Hole for your own data power installation.

6.1 Hole size: 30x10cm/11.8x3.94in (1 hole price) **\$450**

6.2 Desktop data power installed (1 unit price) **\$850**

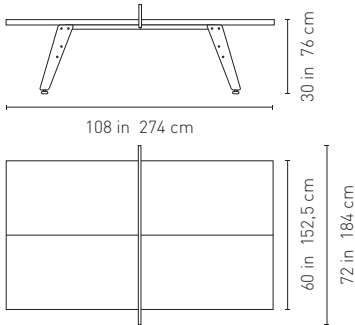
TERMS AND CONDITIONS

- Customer must provide all images/logos in a vectorized format (.ai or .eps).
- Customer must have the appropriated authorization of use for the images/logos provided.
- Jack Game Room will not be responsible for penalties derived from copyrights.
- Lead time for this kind of customized ping pong tables is 4 weeks from order confirmation.
- All prices are USD
- Taxes and shipping not included.

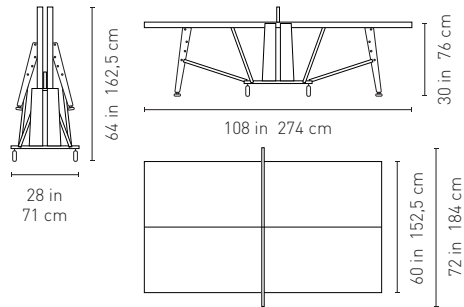
FOLDING & STATIONARY TABLE STANDARD OPTIONS

Version

Stationary



Folding



Colors



1 CHOOSE THE VERSION

STATIONARY

FOLDING

2 CHOOSE THE COLOR

 BLACK

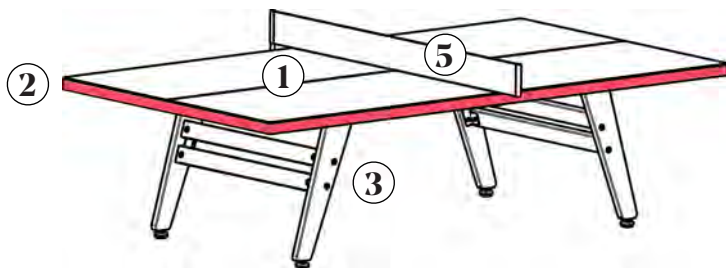
 WHITE



ALL COLORS ARE FOR INDOOR & OUTDOOR USE

This basic customization is at no additional cost.

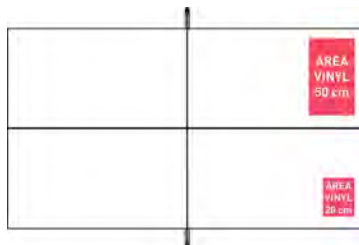
FOLDING & STATIONARY TABLE CUSTOMIZATIONS



1.2



1.3



Vinyl top customization examples:



1 TOP

1.1 HPL TOP

\$680

Tell us your colour preferences and we will look for the one that best suits from the available options.

1.2 PRINTED VINYL TOP

\$1,500

Choose the pattern, picture or specific colour that you want:

1.3 Include your logo (vinyl) in the field:

· 50 cm length (aprox.):

\$260

· 20 cm length (aprox.):

\$150

2 STRUCTURE

Choose the RAL colour that you want.

\$850

3 LEGS

Choose the wood colour that you want.

\$660

5 NET

Pink, white or black colour are at no additional cost. Any other colour:

\$420

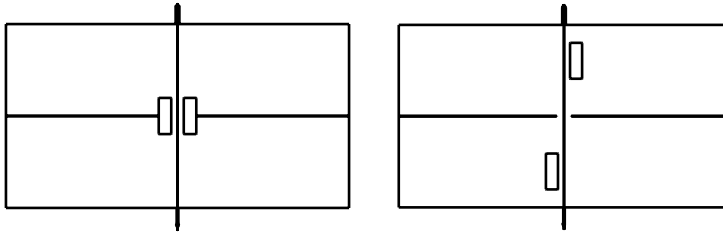
TERMS AND CONDITIONS

- Customer must provide all images/logos in a vectorized format (.ai or .eps).
- Customer must have the appropriated authorization of use for the images/logos provided.
- Jack Game room will not be responsible for penalties derived from copyrights.
- Lead time for this kind of customized ping pong tables is 6-8 weeks from order confirmation.
- All prices are USD.
- Taxes and shipping not included.

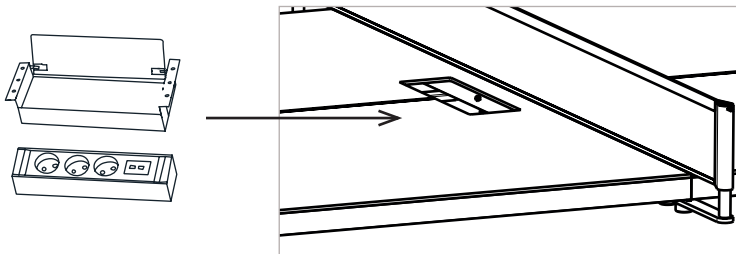
FOLDING & STATIONARY TABLE POWER OPTIONS



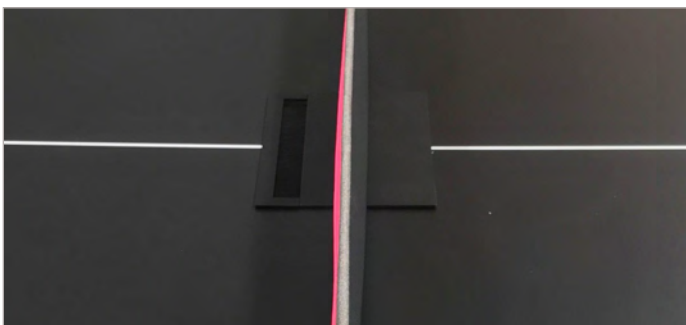
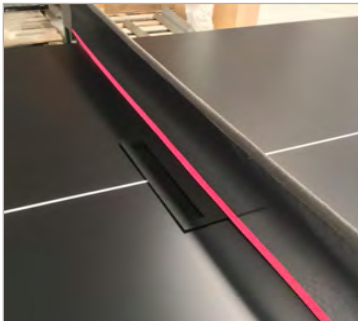
6.1 Power holes examples:



6.2 Desktop data power:



Power examples:



6 POWER

Hole for your own data power installation.

6.1 Hole size: 30x10cm/11.8x3.94in (1 hole price) **\$450**

6.2 Desktop data power installed (1 unit price) **\$850**

Ask for connection unit combinations and country socket availability.

TERMS AND CONDITIONS

- Customer must provide all images/logos in a vectorized format (.ai or .eps).
- Customer must have the appropriated authorization of use for the images/logos provided.
- Jack Game Room will not be responsible for penalties derived from copyrights.
- Lead time for this kind of customized ping pong tables is 6-8 weeks from order confirmation.
- All prices are USD.
- Taxes and shipping not included.