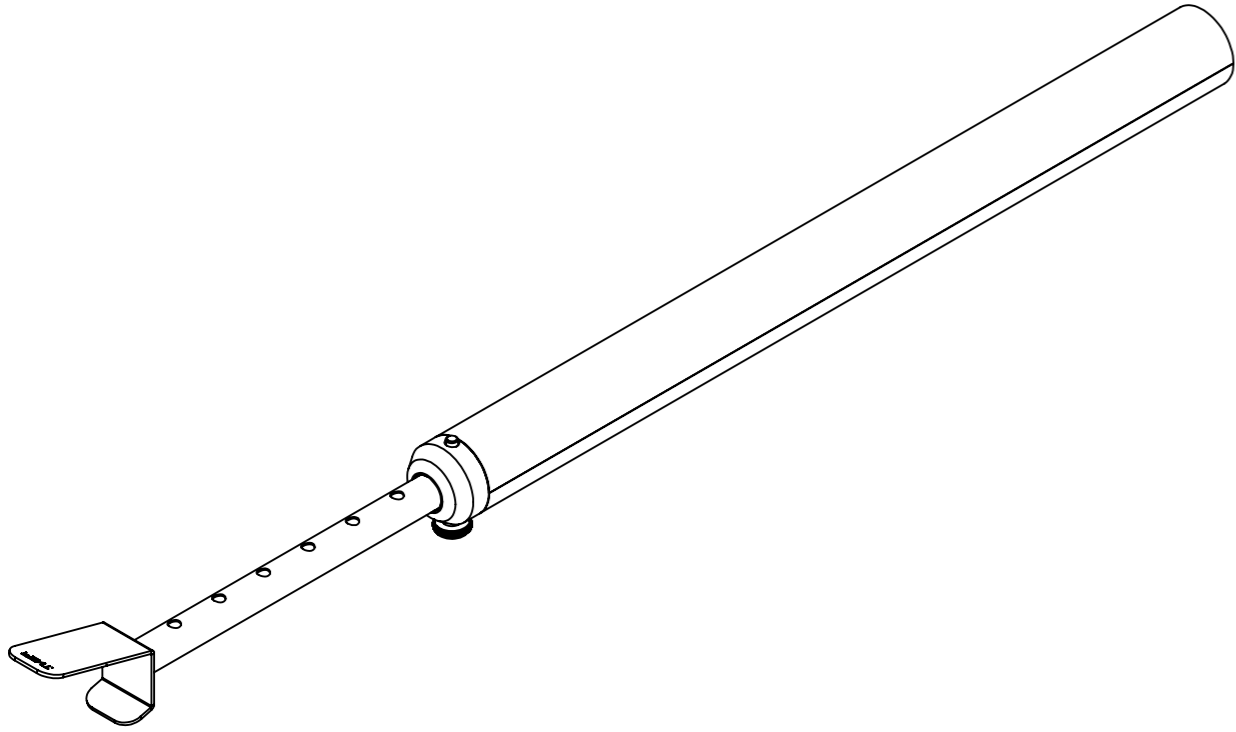
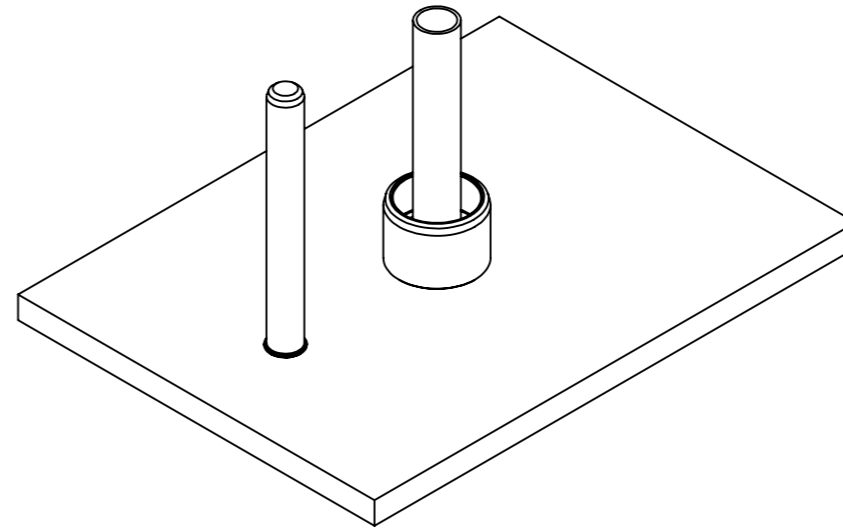


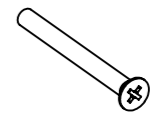
LIST OF ELEMENTS BYSTRA



Beam of the Stand
2 pcs



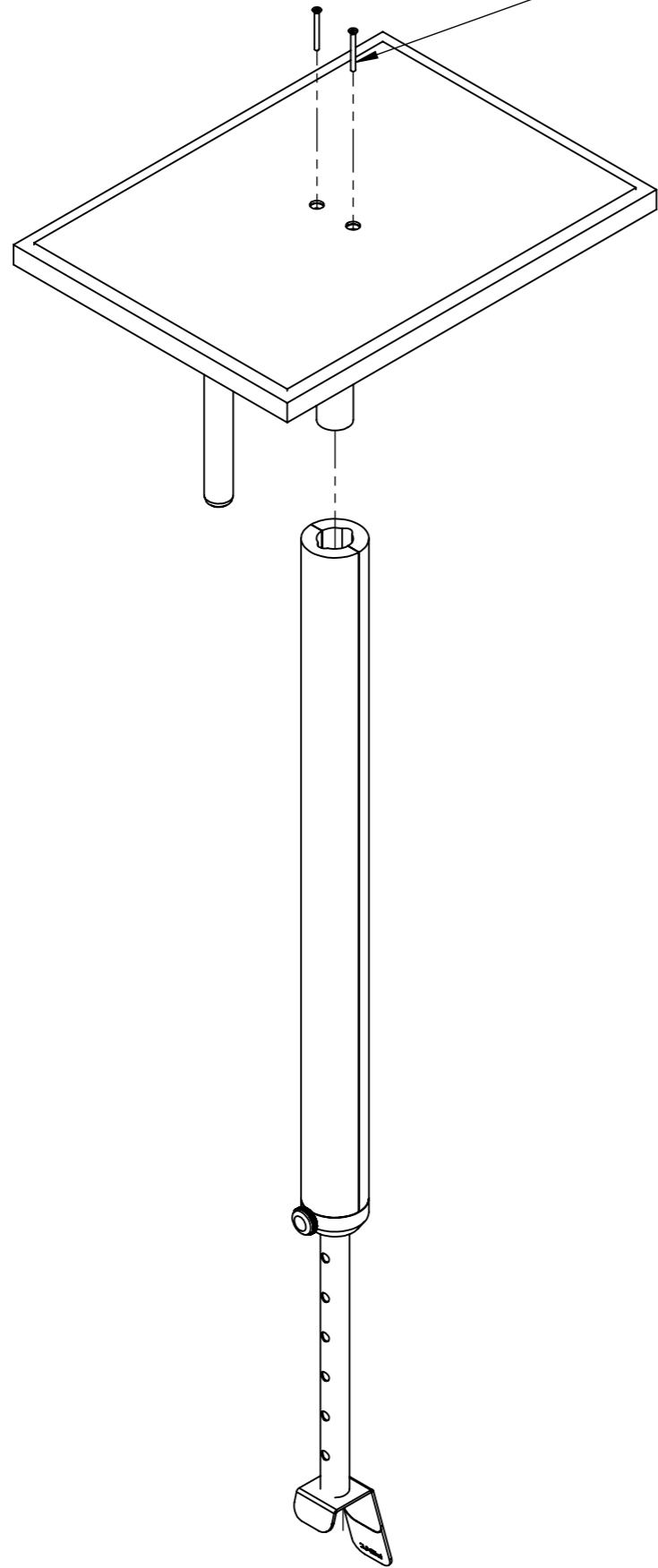
Base of the Stand
2 pcs



Wood Screw
5x80 – 4 pcs

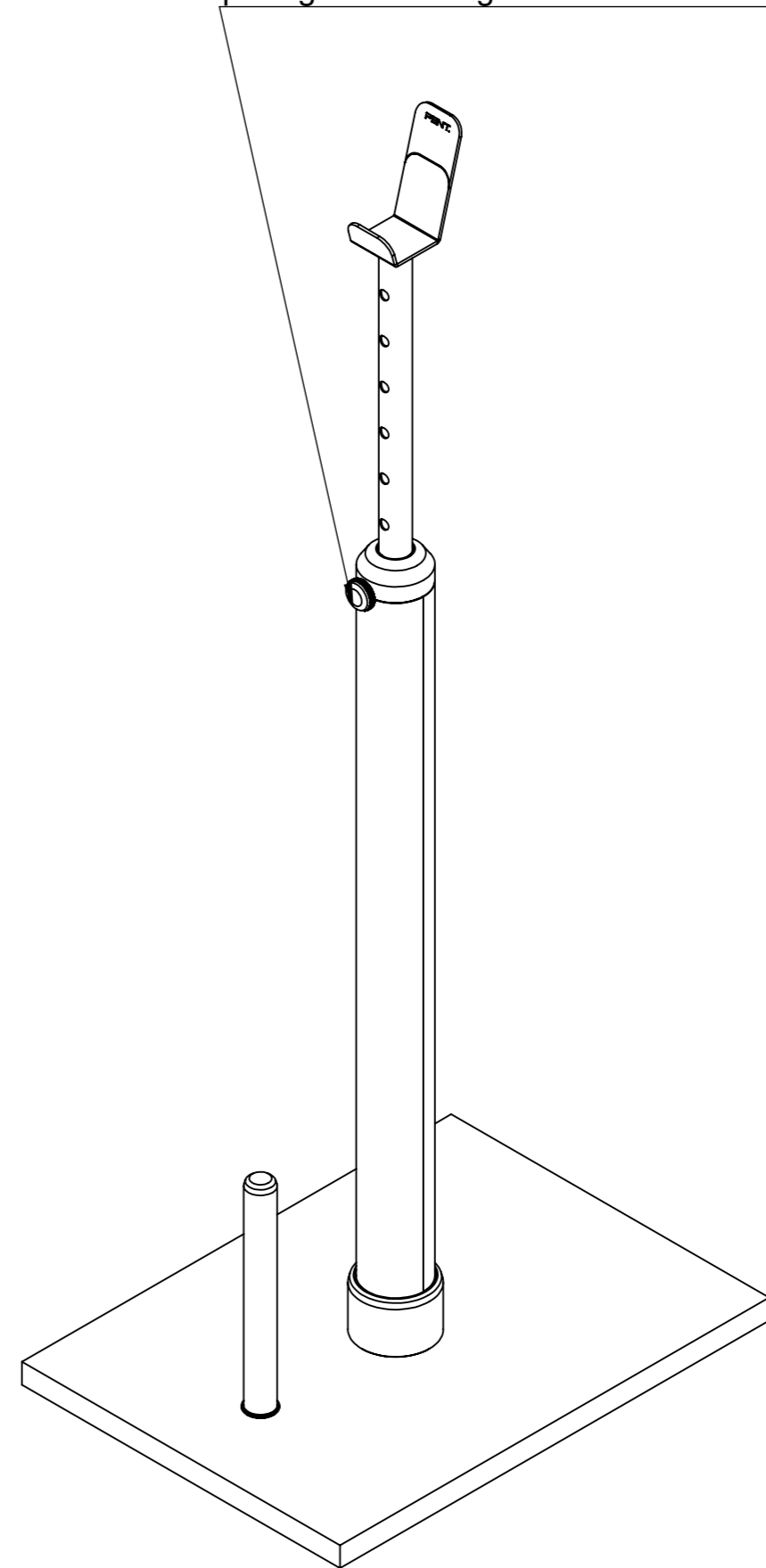
STEP 1

Screw the Base of the Stand to the Beam of the Stand with Wood Screws 5x80



STEP 2

Pre-adjust the height of the stand by pulling out the height lock



FINISHED ASSEMBLY

